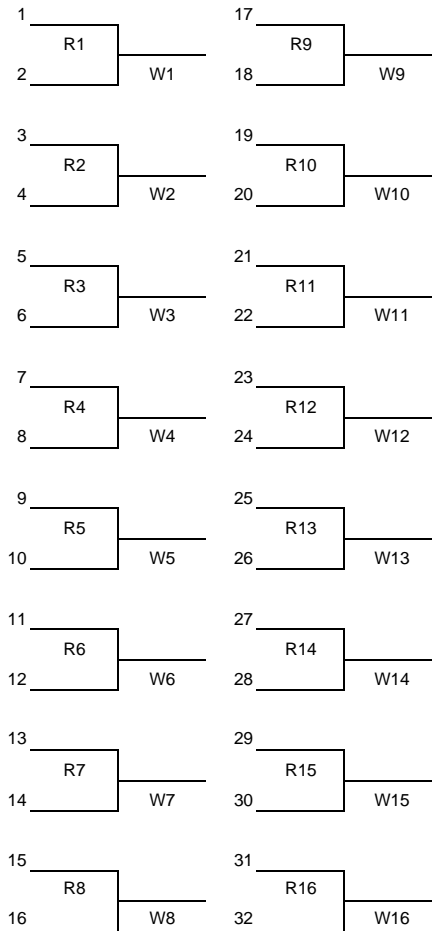


32-Horse Bracket

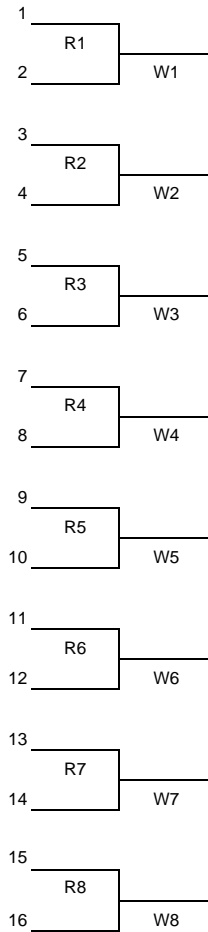
Transfer 16 winners to 16-Horse Bracket



- Bye 1 in Slot 1
- Bye 2 in Slot 32
- Bye 3 in Slot 9
- Bye 4 in Slot 24
- Bye 5 in Slot 5
- Bye 6 in Slot 28
- Bye 7 in Slot 13
- Bye 8 in Slot 20
- Bye 9 in Slot 3
- Bye 10 in Slot 30
- Bye 11 in Slot 11
- Bye 12 in Slot 22
- Bye 13 in Slot 7
- Bye 14 in Slot 26
- Bye 15 in Slot 15

16-Horse Bracket

Transfer 8 winners to 8-Horse Bracket

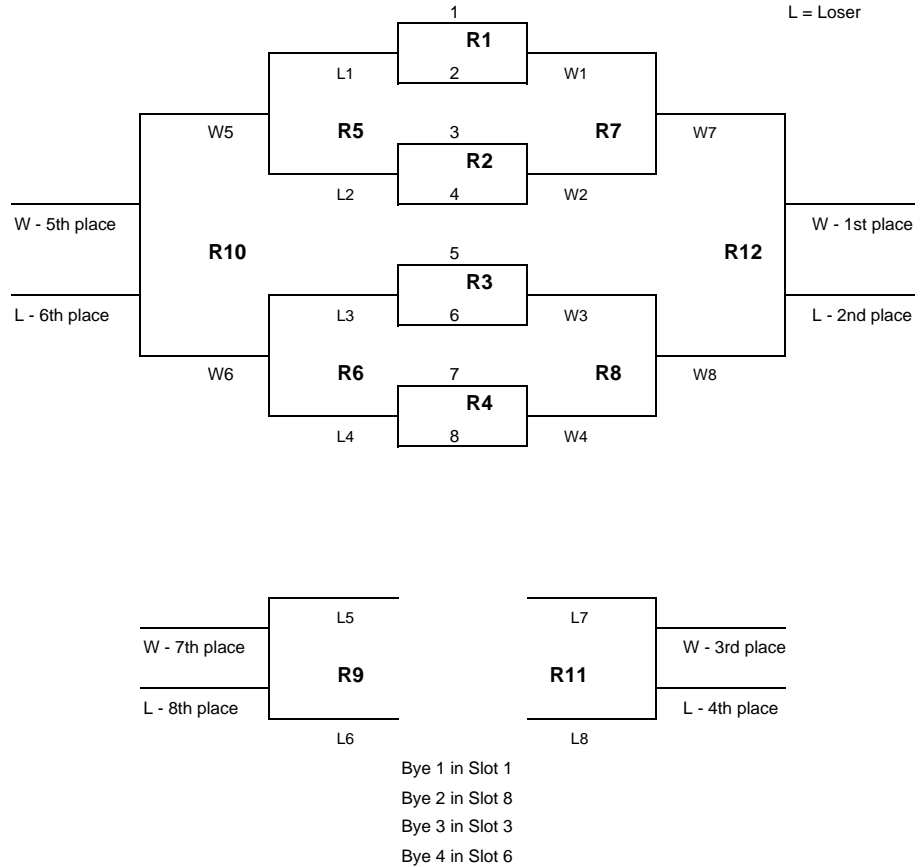


- Bye 1 in Slot 1
- Bye 2 in Slot 16
- Bye 3 in Slot 5
- Bye 4 in Slot 12
- Bye 5 in Slot 3
- Bye 6 in Slot 14
- Bye 7 in Slot 7

**Appaloosa Horse Club
Horse Against Horse Games Bracket**

8-Horse Bracket

R = Race
W = Winner
L = Loser



Use 32-Horse Bracket to draw slots for 17 or more horses.
Use 16-Horse Bracket to draw slots for 9 or more horses.
Use 8-Horse Bracket to draw slots for up to 8 horses.

If the show holds time trial eliminations, then seed the fastest 8 horses in the 8-Horse bracket according to the diagram shown in rule 728.B.